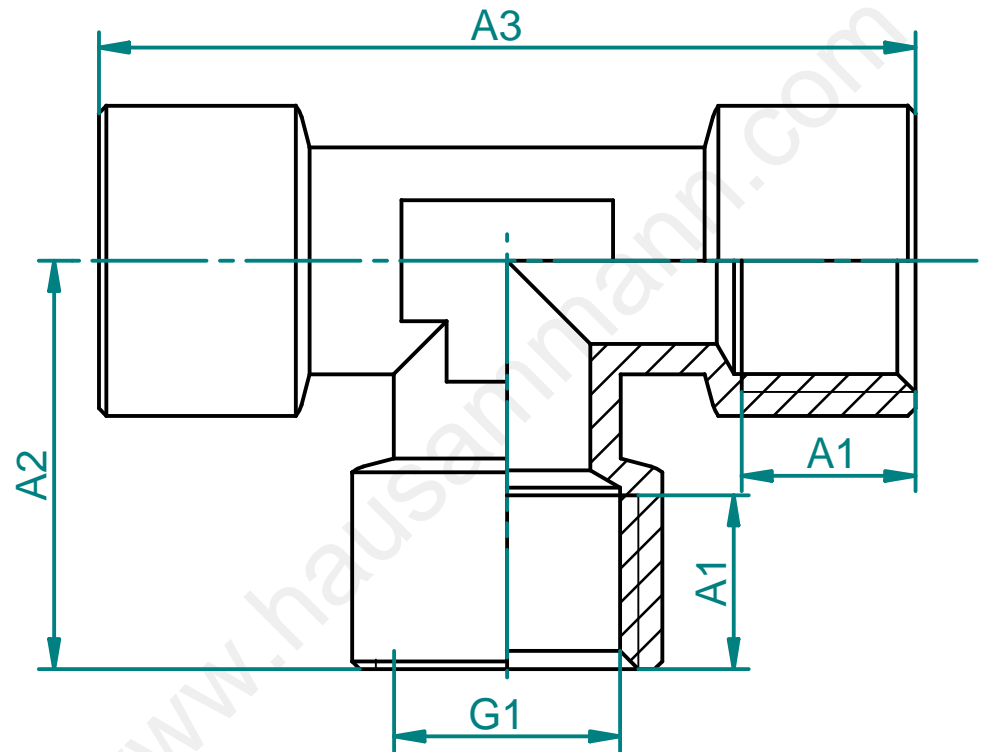


| General tolerances ISO 2768-m |      |              |                |                 |                  | Index | Date | Visum | Modification | Index | Date | Visum | Modification |
|-------------------------------|------|--------------|----------------|-----------------|------------------|-------|------|-------|--------------|-------|------|-------|--------------|
| Basic-size                    | ...6 | > 6<br>...30 | > 30<br>...120 | > 120<br>...400 | > 400<br>...1000 |       |      |       |              |       |      |       |              |
| medium                        | ±0.1 | ±0.2         | ±0.3           | ±0.5            | ±0.8             |       |      |       |              |       |      |       |              |



| Specifications points D,K,H |  |
|-----------------------------|--|
| D= doc.points               |  |
| K= critical                 |  |
| H= main                     |  |

|  |  |  |  |   |  |
|--|--|--|--|---|--|
|  |  | Material:  |  |   |  |
|  |  | Messing vernickelt   |  |   |  |
|  |  | Scale  |  |   |  |
|  |  | 2:1  |  |   |  |
|  |  | Date   |  | Date  |  |
|  |  | 01.04.11   |  | E.Z   |  |
|  |  | checked  |  |   |  |
|  |  | 38.740   |  | Format  |  |
|  |  | Solid Edge   |  | Index   |  |
|  |  | A4   |  | 00  |  |
| Accord-draw.no.:<br>Origin-draw.no.:<br>Replacement for: |  | <b>HAUSAMMANN</b><br>KOMponenten<br>PRODUKTION<br>SYSTEME      |  |   |  |
|  |  | © 2010, Für dieses Dokument behalten wir uns alle Rechte vor.  |  | © 2010, Nous nous reservons tous les droits sur ce document |  |
|  |  | © 2010, We reserve all rights in connection with this document |  |   |  |